

Reliable since 1965...



Mini Contactor, Control Relays & OLR



**BCH
ELECTRIC
LIMITED**

Mini Contactors and Control Relays (CA15 & CR15)

BCH Mini Contactors (CA15) and Control Relays (CR15) are compact family of control devices for switching motors and other logic control circuits. Common accessories enable the devices to be customized for each application. For motor overload protection, Overload Relays can be directly mounted to Mini Contactors.



Product features include

- High fault short circuit rating of 100kA @ 600V with Class J Fuses .
- Removable /replaceable ID Marker for CA15 Series Contactors and CR Series Control Relay, Device identification marker for labeling contactors and front mounted auxiliary contacts simplifies trouble shooting in panels with many contactors.
- Markings and labels, high visibility label for ease of troubleshooting and maintenance
- Compact size – one frame size for devices rated up to 16A.
- AC and DC operating coils for control circuit application flexibility – device is the same physical size with an AC or DC coil.
- Modular design and common snap-on accessories are easily installed without the use of tools, lowering assembly and installation costs.
- Front Mounted auxiliary contacts and surge suppressors install directly on top of the single front mounted mechanical interlock when used with our Mini reversing Contactor.
- Miniature Contactors compatible with directly mounted MC15 series overload Relays with current ratings from 0.28 to 17A.
- Over load relays are Class 10 with selectable manual or automatic reset, and provide phase loss sensitivity. IP20 guarded terminals with dual terminal markings prevent accidental contact with live parts.
- Device identification marker for labelling the contactor or control relay simplifies trouble shooting in panels with many devices.
- Ratings and markings: A, kW and HP rating.
- 35mm DIN rail mounting for fast and easy installation and removal without the use of tools, panel mounting for more secure installation in high shock and vibration applications. Mini contactors and Control Relays feature printed circuit board mounting with an accessory link module.
- Four pole control relay with NO and NC contact configuration.

Mini Contactors and Control Relays (CA15 & CR15)

Unique Product Feature



The Printed Circuit Board Link Module installs directly on the Terminals of mini contactors and control relays enabling them to be directly mounted on an electronic printed circuit board. The module is rated 16A AC-3 and 22A AC-1 to take full advantage of the maximum switching capability of the Mini Contactor and Control relay. The insulated, wiring modules provide error free interconnections for reversing the power poles, and provide the electrical interlock through the integrated normally closed auxiliary contacts.

Mini Control Relays



Mini Control Relays

Code	Description	Contact Ratings
CR1516P00	Four Pole Control Relay	16A AC-1

Contact Configuration

Code	Description
22	2 NO and 2 NC
31	3 NO and 1 NC
40	4 NO
13	1 NO and 3 NC
04	4 NC

Coil Voltage

AC Coil Voltage										
Voltage	24	48	110	120	230	240	400	415	480	600
50Hz										
60Hz										
50/60Hz										
DC Coil Voltage										
Voltage	12	24	110	125	250					

Mini Contactor

Technical Specifications

		CA1507	CA1509	CA1512	CA1516
Rated Operating Frequency		25 ~ 400			
Rated Coil Frequency		AC: 50Hz, 60Hz, 50/60Hz & DC			
Rated Insulation Voltage, Ui	V	690			
Rated Impulse Voltage withstand, Uimp	kV	4			
Rated Operating Voltage, Ue	V	690			
Rated Thermal Current, Ith for Ambient Temperature < 55°C	A	18	20	22	22
Making Capacity	A	70	90	120	160
Breaking Capacity					
Ue < 400V	A	50	72	96	128
Ue = 500V	A	50	72	96	128
Ue = 690V	A	35	54	72	96
AC-1 Operating Current, Ie					
At 55°C	A	18.0	20.0	22.0	22.0
At 70°C	A	14.4	16.0	17.6	17.6
AC - 3 Operating Current, Ie					
220 ~ 240V	A	7.0	9.0	12.0	16.0
380 ~ 400V	A	7.0	9.0	12.0	16.0
415 ~ 440V	A	7.0	9.0	12.0	16.0
500V	A	6.5	7.5	8.8	13.0
660 ~ 690V	A	4.9	6.0	6.6	9.7
AC - 3 Operating Power, Pe					
220 ~ 240V	kW	3.0	4.0	5.5	7.5
380 ~ 400V	kW	3.0	4.0	5.5	7.5
415 ~ 440V	kW	3.7	4.5	5.5	7.5
500V	kW	4.0	4.5	5.5	7.5
660 ~ 690V	kW	4.0	4.5	5.5	7.5
AC - 4 Operating Current, Ie					
220 ~ 240V	A	5.8	7.5	10.0	13.3
380 ~ 400V	A	5.8	7.5	10.0	13.3
415 ~ 440V	A	5.8	7.5	10.0	13.3
500V	A	5.4	6.3	7.3	10.8
660 ~ 690V	A	4.1	5.0	5.5	8.1
AC - 4 Operating Power, Pe					
220 ~ 240V	kW	1.1	1.5	2.2	3.0
380 ~ 400V	kW	2.2	3.0	4.0	5.5
415 ~ 440V	kW	2.2	3.0	4.0	5.5
500V	kW	3.0	3.0	4.0	5.5
660 ~ 690V	kW	3.0	4.0	4.0	5.5
AC - 4 Operating Current, Ie @ 200,000 Operations					
220 ~ 240V	A	2.1	2.7	3.6	4.8
380 ~ 400V	A	2.1	2.7	3.6	4.8
415 ~ 440V	A	2.1	2.7	3.6	4.8
500V	A	2.0	2.3	2.7	3.9
660 ~ 690V	A	1.5	1.8	2.0	2.9
AC - 4 Operating Power, Pe @ 200,000 Operations					
220 ~ 240V	kW	0.37	0.55	0.75	1.1
380 ~ 400V	kW	0.75	1.1	1.5	1.5
415 ~ 440V	kW	0.75	1.1	1.5	1.5
500V	kW	0.75	1.1	1.1	2.2
660 ~ 690V	kW	0.75	1.1	1.1	2.2
Maximum Electrical Switching Rate					
AC - 1	Ops./Hr.	300			
AC - 3	Ops./Hr.	600			
AC - 4	Ops./Hr.	300			
Electrical Endurance, AC -3 at Maximum Rated 3 Phase Operating Power (@ 400V)	Ops. (mill.)	1.4	1.3	1.2	1.1
Short Circuit Coordination	kA	5			
Type "1" gL/gG	A	35	35	35	35
Type "2" gL/gG	A	20	20	25	25

Mini Contactor

Technical Specifications (Contd.)

		CA1507	CA1509	CA1512	CA1516
	Units				
COIL CHARACTERISTICS					
Rated Insulation Voltage, Ui	V		690		
OPERATING LIMITS					
50Hz, 60Hz, 50/60Hz					
Operating	xUc		0.8 ~ 1.1		
Pick-Up	xUc		0.40 ~ 0.76		
Sealed	xUc		0.25 ~ 0.65		
DC					
Operating	xUc		0.8 ~ 1.1		
Pick-Up	xUc		0.40 ~ 0.7		
Sealed	xUc		0.15 ~ 0.4		
COIL CONSUMPTION					
50Hz, 60Hz, 50/60Hz					
Pick-Up	VA		16		
Hold-In	VA		2 ~ 4		
DC					
Pick-Up	W		1.74 ~ 2.5		
Hold-In	W		1.74 ~ 2.5		
Operating Times					
AC					
Pick-Up	msec.		8 ~ 20		
Drop-Out	msec.		6 ~ 13		
DC					
Pick-Up	msec.		35 ~ 45		
Drop-Out	msec.		7 ~ 12		
POWER DISSIPATION					
50Hz, 60Hz, 50/60Hz	W		3		
POWER FACTOR					
Closed	cosφ		0.27		
Open	cosφ		0.8		
MECHANICAL					
Mechanical Endurance	Ops.(mill.)		10		
Maximum Mechanical Switching Rate	Ops./Hr.		2000		
ENVIRONMENTAL					
	Units				
Ambient Operating Temperature			-5 to +40°C (-23 to +104°F) - IEC Std.		
Ambient Storage Temperature			-55 to +80°C (-67 to +176°F)		
CONSTRUCTION					
INGRESS PROTECTION					
Main Circuits			IP20		
Control Circuit Terminations			IP20		
Weight	Kg.		0.18		
	lbs.		0.4		
TERMINAL CAPACITY					
AWG Wire	AWG		2 X 20 ~ 14		
Solid	mm ²		1 X 0.5 ~ 2.5		
Stranded	mm ²		1 X 0.5 ~ 2.5		
Tightening Torque	Nm		1 ~ 1.2		
	lb-in		8.8 ~ 10.6		

Auxiliary Contact Specifications

		Built-in Auxiliary	MCFA, CRFA
IEC RATINGS			
Rated insulation Voltage, U_i	V	690	690
Rated Operating Voltage, U_e		690	690
Rated Thermal Current, I_{th} for Ambient Temperature $< 55^\circ\text{C}$	A	10	10
Making Capacity, $U_e \leq 400\text{V}$, AC-15		10 X I_e (AC-15)	30.0
Breaking Capacity, $U_e < 400\text{V}$, AC-15	A	10 X I_e (AC-15)	3.0
AC-15			
$\leq 240\text{V}$	A	10.0	10.0
380 ~ 400V		6.0	5.0
415 ~ 440V	A	5.0	5.0
500V		4.0	4.0
660 ~ 690V	A	2.0	-
DC-13			
24V	A	6.0	1.5
48V		4.0	-
60V	A	1.5	0.5
110V		0.7	0.4
220 ~ 240V	A	0.35	0.2
SHORT CIRCUIT COORDINATION			
GL/GG	A	10	10
ELECTRICAL ENDURANCE	Ops.(mill.)	1.0	1.0
MECHANICAL			
Mechanical Endurance	Ops.(mill.)	10	10
ENVIRONMENTAL			
Ambient Operating Temperature		-5 to + 40°C (-23 to +104°F) - IEC Std.	
Ambient Storage Temperature		-55 to +80°C (-67 to +176°F)	
CONSTRUCTION			
Terminal Capacity			
AWG Wire		2 X 20 ~ 14	2 X 20 ~ 14
Solid	mm ²	2 X 0.5 ~ 2.5	2 X 0.5 ~ 2.5
Stranded		2 X 0.5 ~ 2.5	2 X 0.5 ~ 2.5
Tightening Torque	² Nm	1 ~ 1.2	1 ~ 1.2
	lb-in	8.8 ~ 10.6	8.8 ~ 10.6

Control Relays

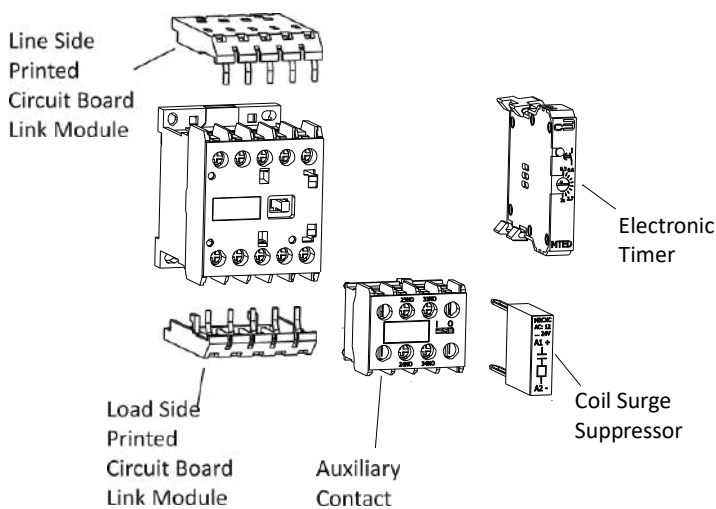
Technical Specifications

		Control Relay (CR1516)
IEC RATINGS		
Rated insulation Voltage, U_i	V	690
Rated Operating Voltage, U_e	V	690
AC-1 Ratings @ 230V	A	16
Rated Thermal Current, I_{th} for Ambient Temperature < 55°C	A	10
Making Capacity, $U_e \leq 400V$, AC-15	A	10 X I_e (AC-15)
Breaking Capacity, $U_e \leq 400V$, AC-15	A	10 X I_e (AC-15)
AC-15		
$\leq 240V$	A	10.0
380 ~ 400V	A	6.0
415 ~ 440V	A	5.0
500V	A	4.0
660 ~ 690V	A	2.0
DC-13		
24V	A	6.0
48V	A	4.0
60V	A	1.5
110V	A	0.7
220 ~ 240V	A	0.35
SHORT CIRCUIT COORDINATION		
g_L/g_G	A	10
UL RATINGS		
Rated Voltage, U_e	V	600
PILOT DUTY RATING		
	AC	A600
	DC	Q600
ELECTRICAL ENDURANCE	Ops.(mill.)	1.0
MECHANICAL		
Mechanical Endurance	Ops.(mill.)	10
ENVIRONMENTAL		
Ambient Operating Temperature	-5 to +40°C (-23 to +104°F) - IEC Std.	
Ambient Storage Temperature	-55 to +80°C (-67 to +176°F)	
CONSTRUCTION		
Terminal Capacity		
AWG Wire	AWG	2 X 20 ~ 14
Solid	mm ²	2 X 0.5 ~ 2.5
Stranded	mm ²	2 X 0.5 ~ 2.5
Tightening Torque	Nm	1 ~ 1.2
	lb-in	8.8 ~ 10.6

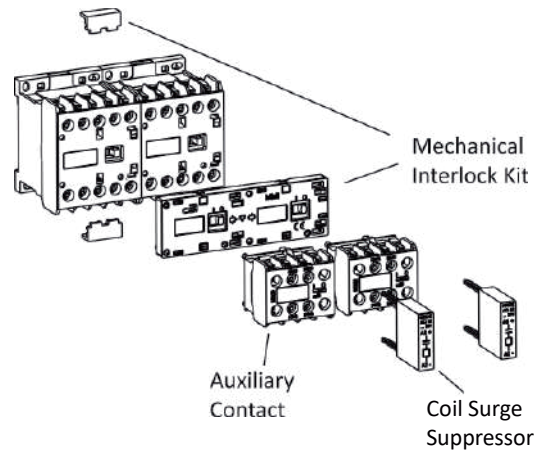
Accessories for Mini Contactors and Control Relays

The complete range of Mini Contactors and Control Relays share common accessories including auxiliary contacts, mechanical interlock, electronic timers, reversing wiring modules, surge suppressors and a printed circuit board link module. Designing starter assemblies and panels is easy – you don't have to remember which auxiliary is required for each contactor or control relay, they all work together. Installation is easy too – once you learn how to install each accessory, it's always the same no matter what contactor or control relay it's being installed on. If simple design and assembly isn't enough – you'll also reduce your inventory and maximize its flexibility, because unique accessories are not required for each size contactor or control relay.

Mini Contactors & Control Relays



Reversing Mini Contactors



Add On Auxiliary Contacts

Front mounted auxiliary contact modules feature IP20 guarded terminals to protect against accidental contact with live parts. The modules are available in 2 and 4 circuit configurations. The device identification marker simplifies trouble shooting in panels with many devices. These modules snap on and install without the use of tools.



Contact Configuration				Contact Configuration			
Code	NO	NC	For Use With Contactors	Code	NO	NC	For Use With Control Relay
MA15AF20	2	0	CA 1507 CA 1509 CA 1512 CA 1516	MR15AF20	2	0	CR 1516
MA15AF11	1	1		MR15AF11	1	1	
MA15AF02	0	2		MR15AF02	0	2	
MA15AF40	4	0		MR15AF40	4	0	
MA15AF22	2	2		MR15AF22	2	2	
MA15AF04	0	4		MR15AF04	0	4	
MA15AF31	3	1		MR15AF31	3	1	
MA15AF13	1	3		MR15AF13	1	3	

Maximum Number of Front Mounted Auxiliary Contacts

Coil Specification	Maximum Number
AC Coils : 110V/50Hz, 120V/60Hz, 415V/50Hz, 480V/60Hz, 600V/60Hz	Up to four additional poles
DC Coils : 12V, 24V, 110V, 125V, 250V	Up to two additional poles

Printed Circuit Board Link Module

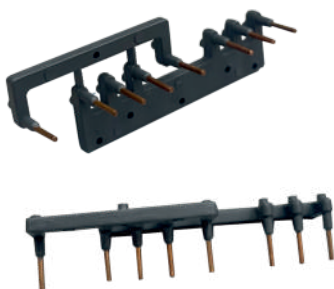
The printed circuit board module enables Mini Contactors and Control Relays to be mounted directly on electronic printed circuit boards. The module is rated 16A AC-3 and 22A AC-1.



Printed Circuit Board Link Module	
Code	Description
ON REQUEST	Printed Circuit Board Link Module

Wiring Modules

Reversing contactor power wiring modules make field assembly of reversing contactors easy.



Wiring Module	
Code	For use with Contactors
M15A16	CA1507, CA1509, CA1512, CA1516
LNRW	Line Side
LDRW	Load Side

Mechanical interlock

Our front mounted Mechanical interlock is for reversing Contactors. The interlock prevents the forward and reverse contactors from being actuated at the same time. Auxiliary contact modules, surge suppressors and timers can be used in conjunction with the mechanical interlock.



Mechanical Interlock	
Code	Description
M15AMIL	Front Mounted Mechanical Interlock

Surge Suppressors

Front mounted surge suppressors protect sensitive electronic components from damaging line voltage spikes. The modules install without the use of tools, and can be used in conjunction with all other accessories.



Code	Voltage Range	Type
M15ASSR024	12 ~ 24V 50/60Hz	RC
M15ASSR048	24 ~ 48V 50/60Hz	
M15ASSR127	50 ~ 127V 50/60Hz	
M15ASSR250	130 ~ 250V 50/60Hz	
M15ASSR380	275 ~ 380V 50/60Hz	
M15ASSR510	400 ~ 510V 50/60Hz	
M15ASSV048	12 ~ 48VAC/12 ~ 60VDC	Varistor
M15ASSV127	50 ~ 127VAC/60 ~ 180VDC	
M15ASSV250	130 ~ 250VAC/180 ~ 300VDC	
M15ASSV380	277 ~ 380VAC/380 ~ 510VDC	
M15ASSV510	400 ~ 510VAC	
M15ASSD600	12 ~ 600VDC	Diode

Ordering Code

Mini Contactors

Ordering Informations							
I	II	III	IV	V	VI	VII	VIII
BCH Series	Current Rating AC3	Poles	Main Pole Configuration	Built in Auxiliary pole Contacts	Coil Type	Coil Voltage	Frequency

CA15 07 P 30 10 A 230 F

I - BCH Series

CA15-Mini Contactor

II - Current Rating AC3

007 - 7A
009 - 9A
012 - 12A
016 - 16A

III - Poles

P = Main Poles

IV - Main Pole Configuration

30 - 3 Normally Open

V - Built in Auxiliary pole Contacts

10 - Normally open
01 - Normally closed

VIII - Frequency

F - 50Hz
Blank - DC

VII - Coil Voltage

AC		DC	
Code	Voltage	Code	Voltage
024	24	012	12
048	48	024	24
110	110	110	110
120	120	125	125
230	230	250	250
240	240		
400	400		
415	415		
480	480		
600	600		

VI - Coil type

A - AC voltage coil
D - DC voltage coil

Control Relay

Ordering Informations							
I	II	III	IV	V	VI	VII	VIII
BCH Series	Model	P	Main Pole Configuration	Auxiliary Pole Configuration	Coil Type	Coil Voltage	Frequency

CR15 16 P 00 40 A 230 F

I - Type

CR15 - Mini control relay

II - Model

16 - Model

III - Poles

P poles

IV - Main Poles

00 - No main poles

V - Auxiliary Pole Configuration

22 - 2 Normally Open & 2 Normally Closed
13 - 1 Normally Open & Normally Closed
31 - 3 Normally Open & Normally Closed
40 - 4 Normally Open
04 - 4 Normally Closed

VIII - Frequency

F - 50Hz
Blank - DC

VII - Coil Voltage

AC		DC	
Code	Voltage	Code	Voltage
024	24	012	12
048	48	024	24
110	110	110	110
120	120	125	125
230	230	250	250
240	240		
400	400		
415	415		
480	480		
600	600		

VI - Coil Type

A - AC Voltage Coil
D - DC Voltage Coil

Ordering Code - Accessories

Auxiliary Contact

Ordering Informations		
I	II	III
BCH Series	Front Mounted Auxiliary	Contact configuration

MA15 AF 40

III - Configuration

I - BCH Series

MA15- Mini Contactor
MR15- Mini control relay

II - Accessories

AF - Front Mounted Accessories

20 - 2 normally open contacts
11 - 1 normally open & 1 normally closed contact
02 - 2 normally closed contacts
40 - 4 normally open contacts
22 - 2 normally open & 2 normally closed contacts
04 - 4 normally closed contacts
31 - 3 normally open & 1 closed contacts
13 - 1 normally open & 3 normally closed contacts

Mechanical Interlock

Ordering Informations	
I	II
Type	Interlock

I - Contactor

MC15 - Mini Contactor

M15AMIL

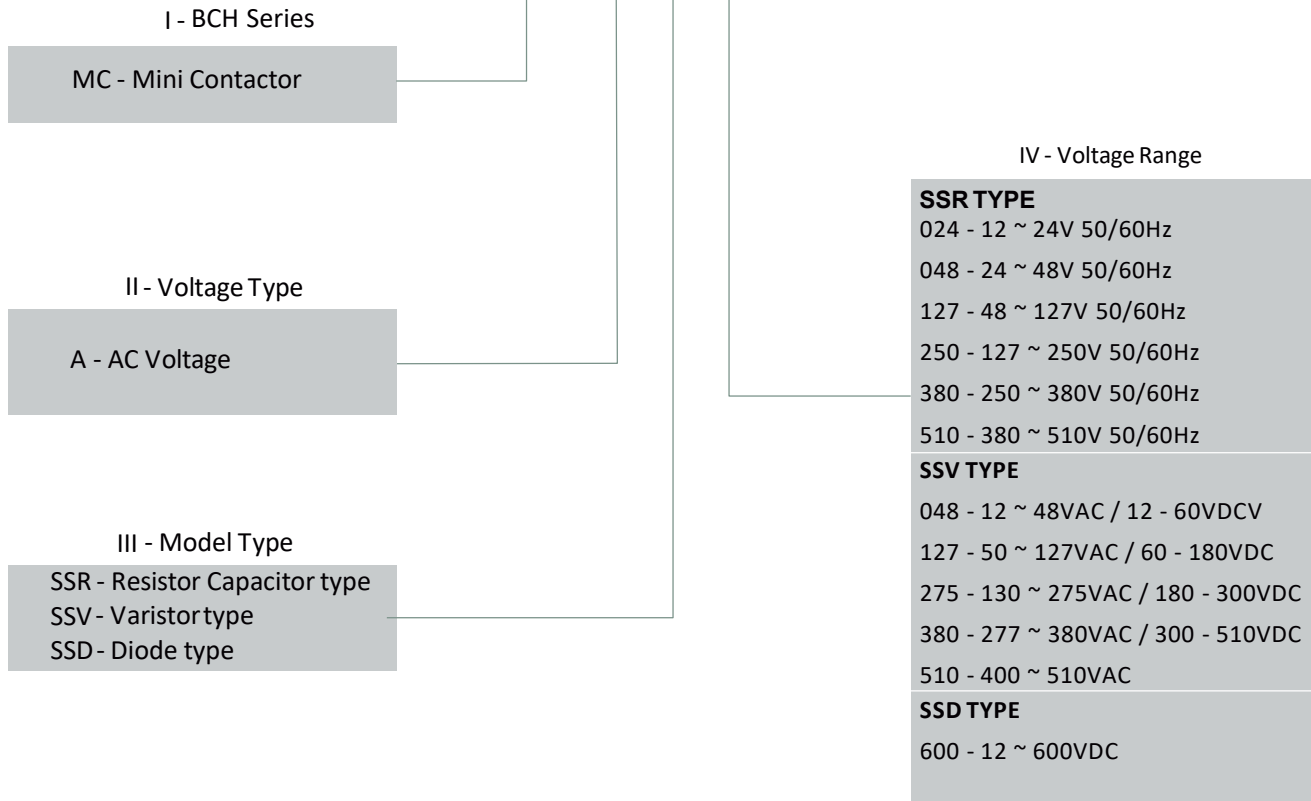
II - Interlock

MIL - Mechanical Interlock

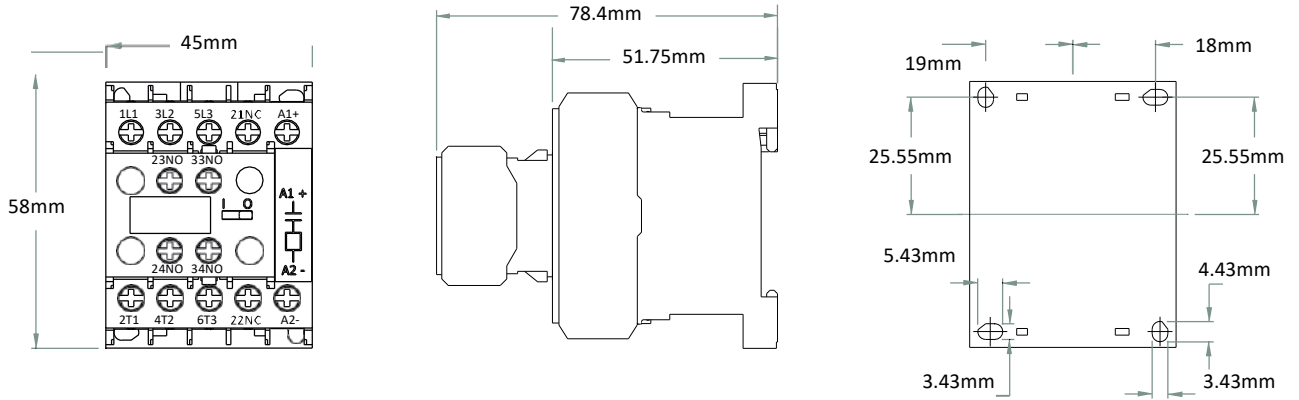
Mini Contactor surge Suppressor

Ordering Informations			
I	II	III	IV
BCH Series	Model	Voltage Type	Voltage Range

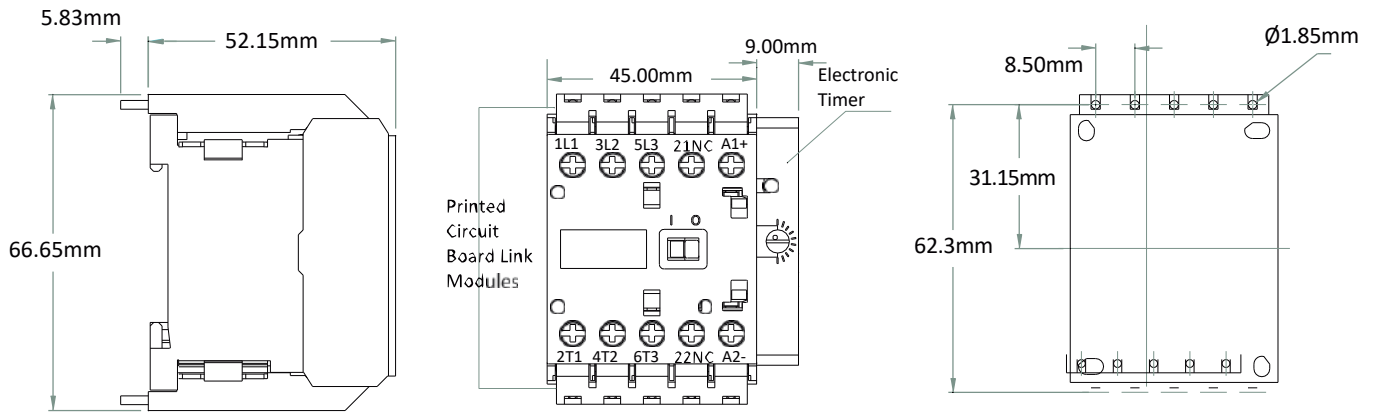
MC15 A SSR 127



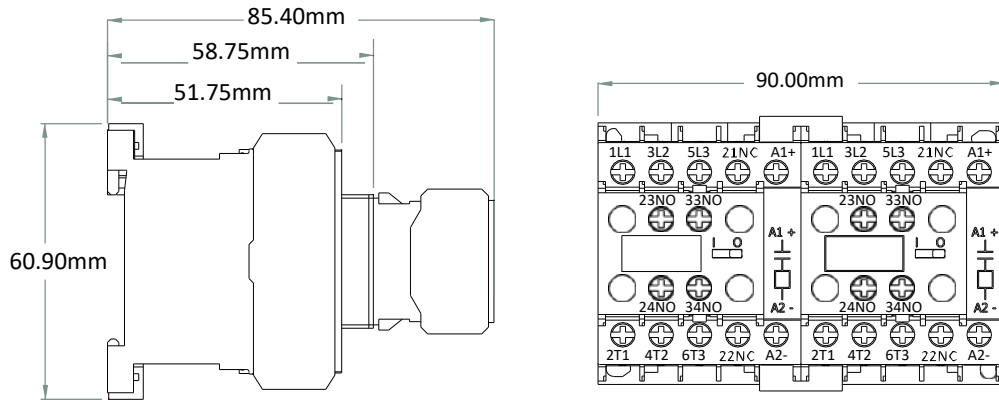
Mini Contactor & Control Relay with Auxiliary Contacts & Surge Suppressor



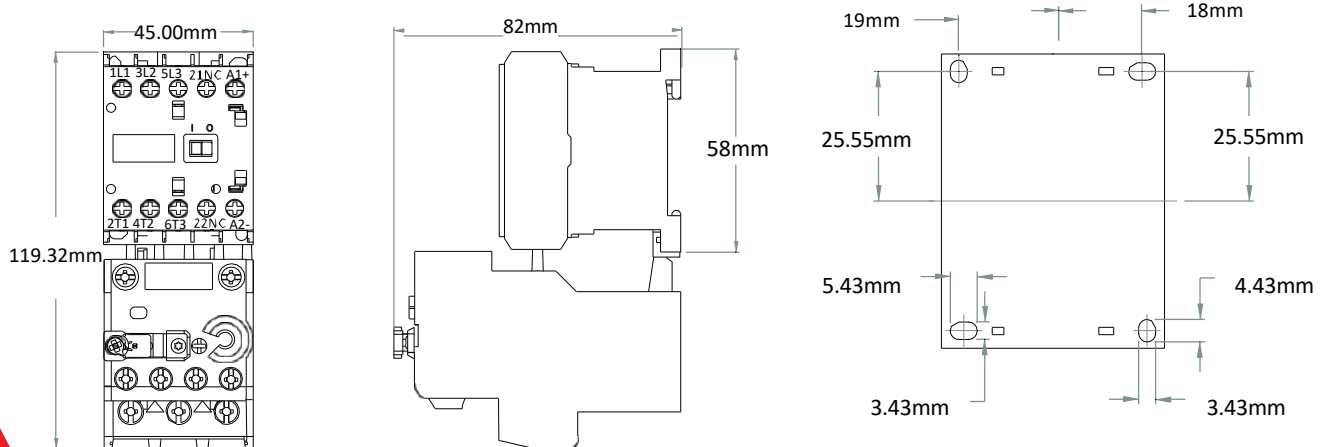
Mini Contactor & Control Relay With Printed Circuit Board Link Module & Electronic Timer



Mini Contactor & Control Relay with Auxiliary Contacts & Surge Suppressor



Mini Contactor with Over Load Relay Assembly



Bimetallic Overload Relays

BCH MC15BR Series Bimetallic Overload Relays provide thermal Trip Class 10 overload protection for single and three phase motors, and phase loss protection for three phase motors. Other features like IP20 guarded terminals with dual terminal markings, integral stop button, and direct mounting will help you to reduce your total installed costs and enhance the features and performance of your equipment.



Features

Relays for use with CA15 Series Mini Contactors.

BR series Overload Relays include integral connection to auxiliary and coil terminations for ease of wiring during installation when installed on CA15 Series Mini Contactors.

Trip Class 10 for reliable and accurate protection against overload conditions.

Single phase sensitivity to protect motors against damaging phase loss conditions.

Direct mounting to all contactors, Series CA15 Mini Contactors. IP20 guarded terminals prevent accidental contact with live parts.

Combination head terminal screws allow the use of straight, phillips or posidrive screwdrivers. Stop button for convenient and economical control circuit wiring.

Ambient temperature compensation ensures reliable motor protection even in high temperature environments.

Overload Relay Type	
Code	Description
MC15BR	Bimetallic Overload Relay

Overload Relay Cat Code and Current Adjustment Range	
Code	Current Adjustment Range
MC15BRL40	0.28 ~ 0.4
MC15BRL63	0.4 ~ 0.63
MC15BRL80	0.56 ~ 0.8
MC15BRM12	0.8 ~ 1.2
MC15BRM18	1.2 ~ 1.8
MC15BRM28	1.8 ~ 2.8
MC15BRM40	2.8 ~ 4.0
MC15BRM63	4.0 ~ 6.3
MC15BRM80	5.6 ~ 8.0
MC15BRH10	7.0 ~ 10.0
MC15BRH12	8.0 ~ 12.5
MC15BRH15	10 ~ 15
MC15BRH17	11 ~ 17

Bimetallic Overload Relays - Technical Specifications

		MC15BR
ELECTRICAL GENERAL	Units	
Current setting range	A	0.28 ~ 17
Operating Frequency	Hz	50 / 60 Hz
Power Dissipation per pole	W	0.9 ~ 1.4
IEC Ratings		
Main Circuits		
Rated Insulation Voltage, Ui	V	690
Rated Impulse Voltage withstand, Uimp	kV	6
Rated Operating Voltage, Ue	VAC	690
Maximum Rated Operating Current, Ie	A	17
Short Circuit Current, Ie	A	5kA
Maximum fuse size in type "1" gL/gG*	A	63
Maximum fuse size in type "2" gL/gG*	A	35
Control Circuits		
Rated Insulation Voltage, Ui	V	690
Rated Thermal Current	A	6
Rated Operating Current, Ie		
AC-15		
24V	A	4
48V	A	3.5
60V	A	3.5
110~120V	A	3.00
220~240V	A	2.00
400~415V	A	1.50
500V	A	0.50
660~690V	A	0.30
DC-13		
24V	A	1.00
48V	A	0.50
60V	A	0.50
110V	A	0.25
220V	A	0.10
250V	A	0.10
Short Circuit Coordination		
gL/gG	A	6

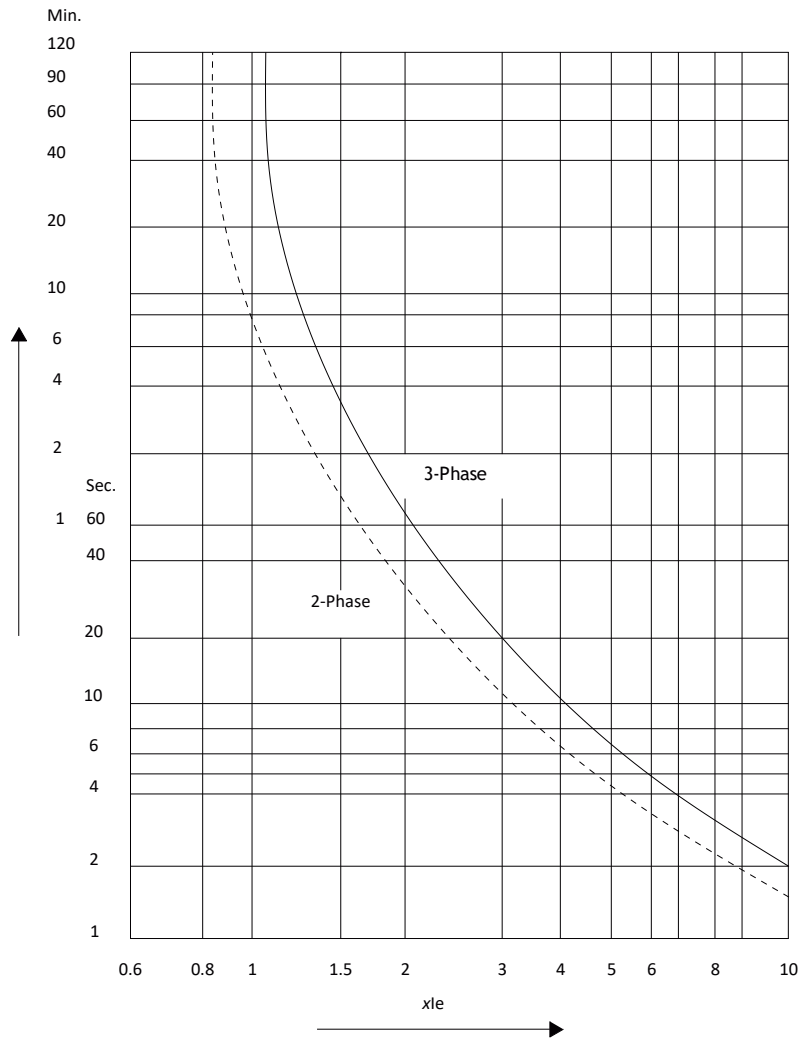
*Varies by current settings range of overload relay

Bimetallic Overload Relays - Technical Specifications (Contd.)

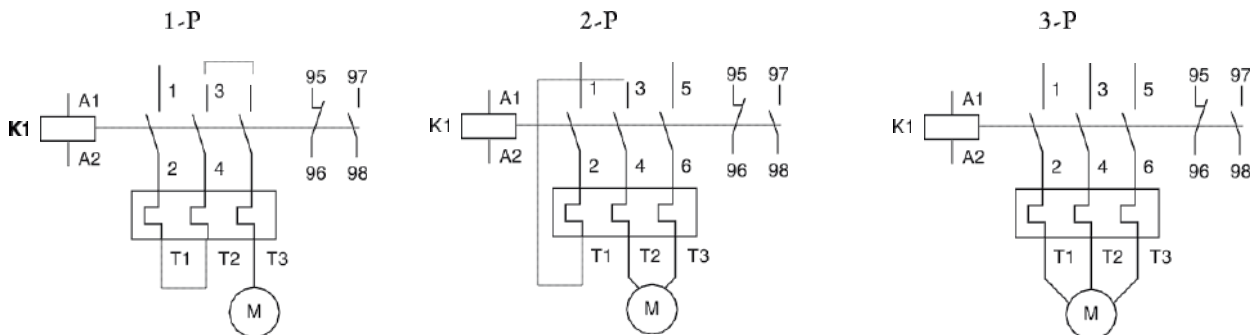
MC15BR

ENVIRONMENTAL		Units	
Ambient Temperature			-5 to +40°C (-23 to +104°F) - IEC Std.
Ambient Storage Temperature			-40 to + 70°C (-40 to 158°F)
Altitude			<2000 mtrs
Ambient Storage Temperature			<50% of + 40°C, <90% of + 20°C
Construction			
Number of Poles			3
Trip Class			10
Pollution Degree			3
Ingress Protection			
Main Circuit Terminals			IP20 (With wires connected)
Control Circuit Terminals			IP20
Weight			
		Kg.	0.15
Conductor Size			
Main Circuit Terminals			
Solid		mm ²	2.5 ~ 16
Stranded		mm ²	2.5 ~ 16
Terminal Torque		Nm	1.4 ~ 2.3
		lb.in.	12.4 ~ 20.4
Control Circuits			
UL/CSA		AWG	2 X 18 ~ 12
Solid		mm ²	2 X 1 ~ 4
Stranded		mm ²	2 X 1 ~ 4
Terminal Torque		Nm	1.4 - 2.3
		lb.in.	12.4 - 20.4
ROHS Compliance			Yes

Bimetallic Overload Relay Trip Characteristics

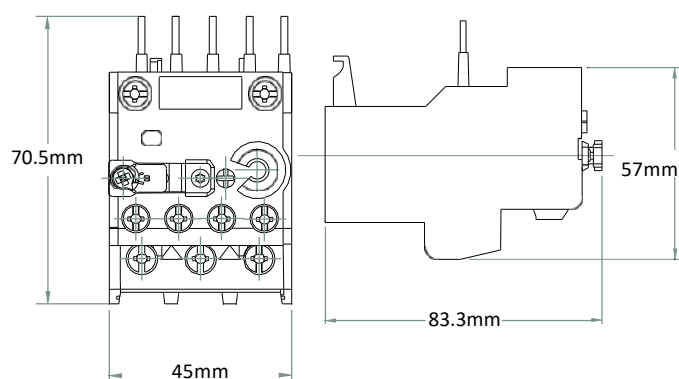


Circuit Diagrams



Bimetallic Overload Relays

MC15BR



- Power Control Products
- Starters & Submersible Pump Starters
- Industrial Enclosures
- Industrial Products
- Wires & Cables
- Motor Control Products
- Power Bus Duct
- Customised Solution
- Automation



BCH ELECTRIC LIMITED



www.bchindia.com



1800-103-9262

customer@bchindia.com

Visit us at : www.bchindia.com

Corporate Office : 1105, New Delhi House, 27, Barakhamba Road, New Delhi-110 001 Tel. : 91-11- 43673100

CIN : U31103WB1965PLC026427, **Customercare No.** 1800-103-9262, **E-mail :** marketing@bchindia.com

Registered Office : Block 1E, 216, Acharya Jagadish Chandra Bose Road, Kolkata - 700 017

Works 1 : 20/4, Mathura Road, Faridabad-121 006 (Haryana) Tel. : 0129-4063000/4293000 Fax : 0129-2304016

Works 2 : 64-68, Sector-7, IIE, Pant Nagar, Rudrapur, Udham Singh Nagar - 263 153 (Uttarakhand) Tel. : 05944-250214/16 Fax : 05944-250215

Sales Offices :

Ahmedabad

401, Shilp Zeveri,
Beside Shyamal Iconic,
Above Westside,
Shyamal Cross Road,
Ahmedabad - 380015
E-mail.: ahmedabad@bchindia.com

Bangalore

2nd Floor, 130/5,
K.H. Road (Double road),
Bangalore - 560 027
Tel. : **080-41144879 / 22236759**
E-mail : bangalore@bchindia.com

Bhubaneswar

Mallick Commercial
Complex Plot No.: A/69, unit - 3
Bhubaneswar - 751 001
Tel.: **0674-2380988**
E-mail.: bhubaneswar@bchindia.com

Chandigarh (Panchkula)

SCO -270, 2nd Floor,
Sector-16, Panchkula
Haryana-134 113
Tel. : **0172-5078957 / 5049905**
E-mail.: chandigarh@bchindia.com

Chennai

Flat No. 3A, 3rd Floor,
Sree Apartments,
No.508, TTK Road,
Alwarpet, Chennai 600 018
Tel.: **044-24337046, 24337047**
E-mail : chennai@bchindia.com

Coimbatore

87, Dr. Nanjappa Road,
Coimbatore - 641 018
Tel. : **0422-2305311 / 2302599**
E-mail : coimbatore@bchindia.com

Delhi 1

801, Akash Deep Building,
26A, Barakhamba Road,
New Delhi - 110 001
Tel. : **011-23313878 / 43518200**
E-mail : delhi@bchindia.com

Delhi 2

710, Deepali Building, 92
Nehru Place, New Delhi - 110 019
Tel. : **011-45720334**
E-mail : delhi2@bchindia.com

Dehradun

8, Co-operative Industrial Estate,
Patel Nagar, Dehradun-248001
E-mail : dehradun@bchindia.com

Faridabad

20/4, Mathura Road,
Faridabad - 121 006 (Haryana)
Tel/fax. : **0129-4293009**
E-mail : faridabad@bchindia.com

Hyderabad

1-8-303/48/13/102, Arya One,
2nd Floor, P. G. Road,
Secunderabad - 500 003
Tel. : **040-66206263/27890306**
Fax : 040-66207273
E-mail : hyderabad@bchindia.com

Indore

330-331, Indraprastha Tower,
3rd Floor, 6, M.G. Road,
Indore - 452 001
Tel. : **0731-2510011 / 2510012**
E-mail : indore@bchindia.com

Jaipur

25, Hathroi, Gopalbari,
Jaipur - 302 001
Tel. : **0141-2363521**
E-mail : jaipur@bchindia.com

Jamshedpur

3rd Floor, Aastha Trade Centre,
'Q' Road, Bistupur,
Jamshedpur - 831 001
Tel. : **0657-2321097/2321481**
E-mail : jamshedpur@bchindia.com

Kolkata

Block 1E, 216,
Acharya Jagadish Chandra Bose Road,
Kolkata - 700 017
Tel. : **033-22871728 / 46021884**
E-mail : kolkata@bchindia.com

Lucknow

Shop No. 3, First Floor, Tower T-10,
Millennium Place IBB - 2,
Sushant Golf City, Sultanpur Road,
Lucknow - 226030
Tel. : **0522-4025597/4025997**
E-mail : lucknow@bchindia.com

Ludhiana

S.C.O.- 18, 2nd Floor,
Feroze Gandhi Market,
Ludhiana - 140 001
Tel. : **0161-5021807/5022808**
E-mail : ludhiana@bchindia.com

Mumbai

A-151, Mittal Tower,
Nariman Point,
Mumbai - 400 021
Tel. : **022-22822947/22850162**
Fax : 022-22822858
E-mail : mumbai@bchindia.com

Pune

8, Sarosh Bhavan,
16-B/1, Dr. Ambedkar Road,
Pune - 411 001
Tel. : **020-41210002**
E-mail : pune@bchindia.com

Raipur

6th Floor, Office No. 607,
Babylon Capital, Near Oswal
Petrol Pump, VIP Chowk,
G.E. Road, Raipur - 492 006
Tel. : **0771- 4045053**
E-mail : raipur@bchindia.com

Vadodara

301, Third Floor, "Florence Classic",
10, Ashapuri Co-Op. Hsg. Soc. Ltd., Opp. VUDA Housing,
Near Cow Circle, Akota, Vadodara - 390 020
Tel. : **0265-2345068/2345069**
Telefax : 0265-2345068,
E-mail : vadodara@bchindia.com

Other Branch Locations

Cochin : cochin@bchindia.com, **Guwahati :** guwahati@bchindia.com, **Vishakapatnam :** vizag@bchindia.com, **Surat :** surat@bchindia.com, **Trichy :** Trichy@bchindia.com

Resident Engineer Locations

Anantapur	Jodhpur	Madurai	Rajkot	Siliguri
Aurangabad	Jalandhar	Muzaffarnagar	Rajahmundry	Tirunelveli
Bhopal	Kanpur	Nagpur	Ranchi	Udaipur
Calicut	Katni	Nashik	Rourkela	Vapi
Gurgaon	Kharagpur	Nanded	Rudrapur	Vijayawada
Hosapate	Kota	Patna	Salem	Warangal
Hubli	Kolhapur	Puducherry	Satna	Yamuna Nagar

Since product improvement is a continuous process, the data furnished in this brochure may undergo revision without prior notice.