



Heavy Duty Foot Switches



BHARTIA

BCH

BCH
ELECTRIC
LIMITED

Heavy Duty Foot Switch Range and Specification

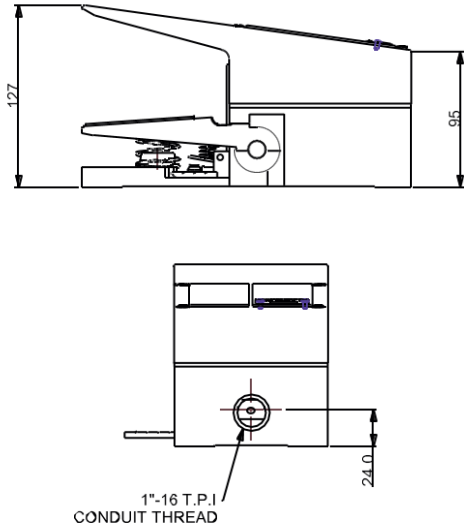
Technical Parameter					
Model	FSG	BSG2M	BSG2C	BSG2P	
					
Compliance Standard	IEC 60947-5-1				
Certification	UL Certified*	CE Marking			
Design	Heavy Duty Foot Switch				
Rated Insulation Voltage (Ui)	600V AC				
Rated Impulse Withstand Voltage (Uimp)	2.5kV				
Operating Frequency	50Hz				
Pollution Degree	3				
Ambient Temperature	-5 deg C to 40 deg C				
Utilization Category	AC-15 & DC-13				
Rated Thermal Current (Ith)	15A				
Rated Operating Current / Voltage (IEC Rating)	AC 15 Rating (50Hz)	Single Pole	AC 15 Rating (50Hz)	Double Pole	
	110V	4.0A	115V	3.0A	
	220V	2.0A	230V	1.5A	
	440V	1.0A	460V	0.8A	
	600V	0.8A	600V	0.6A	
	DC 13 Rating	SPDT		DPDT	
	1NO+1NC / 2 NO+2NC	1NO+1NC	2NO+2NC	1NO+1NC	2NO+2NC
	115V	2.5A	1.0A	0.5A	0.2A
	230V	0.5A	0.3A	0.2A	0.1A
	600V	0.1A	0.1A	0.02A	-
Contact Arrangement	1NO+1NC, 2NO+2NC 2x1NO+1NC, 2x2NO+2NC	1NO+1NC 2NO+2NC	2 X 1NO+1NC 2 x 2NO+2NC	1NO+1NC 2NO+2NC	
Contact Design	Same Polarity - SPDT, DPDT, 2SPDT, 2DPDT	Same Polarity - SPDT, DPDT	Same Polarity - 2SPDT, 2DPDT	Same Polarity - SPDT, DPDT	
Body Material / Colour	Aluminium Die-cast / Silver Grey	Aluminium Die-cast / Black	Aluminium Die-cast / Black	Glass Filled Nylon/ Black	
Pedal material / Colour	Aluminium Die-cast / Silver Grey	Aluminium Die-cast / Grey	Glass Filled Nylon / Black	Glass Filled Nylon/ Black	
Cover/Guard Material/ Colour	Aluminium Die-cast / Silver Grey	Aluminium Die-cast / Yellow	Aluminium Die-cast / Red	Polycarbonate / Yellow	
Contact Material	Silver Alloy				
Electrical/Mechanical Life	10 Million Operation				
Terminal Capacity	2.5mm ² solid or stranded conductor				
Cable Entry Provision	M20 x 1.5mm				
Weight	1.8 kg/ per unit	1.9 kg/ per unit	2.9 kg/ per unit	1.12 kg/ per unit	

Cat-code

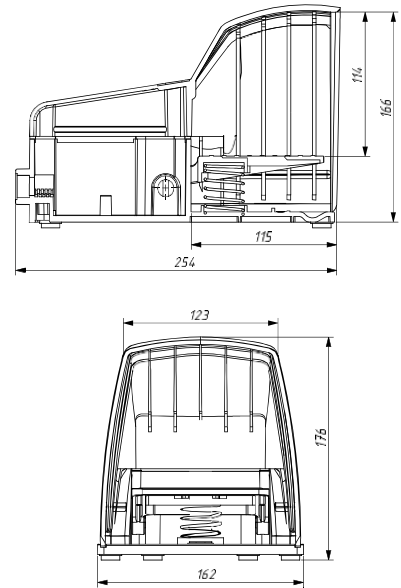
FSG(1)(2)(3)	BSG2M(1)	BSG2C(1)	BSG2P(1)
(1) X – 1 Contact Block (2Positions) Y – 2 Contact Block (2 Positions) Z -2 Contact Block (3 Positions)	(1) X1 = 1NO+1NC X2 = 2NO+2NC	(1) Y1 = 2 X 1NO+1NC Y2 = 2 X 2NO+2NC	(1) X1 = 1NO+1NC X2 = 2NO+2NC
(2) 1 – Contact Block with 1NO+1NC 2- Contact Block with 2NO+2NC			
(3) L- With Treadle Latch (2 Only for 2 Positions) M- Medium Spring (Only for 3 Positions)			

Product Dimensions

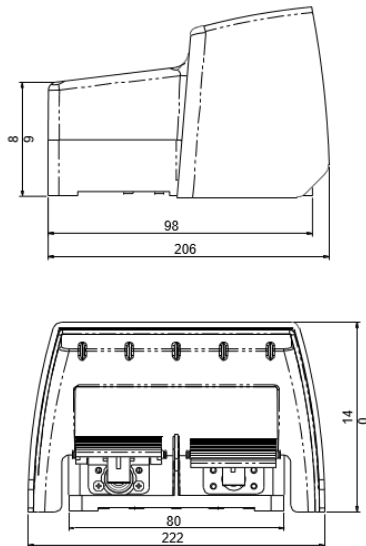
FSG(1)(2)(3)



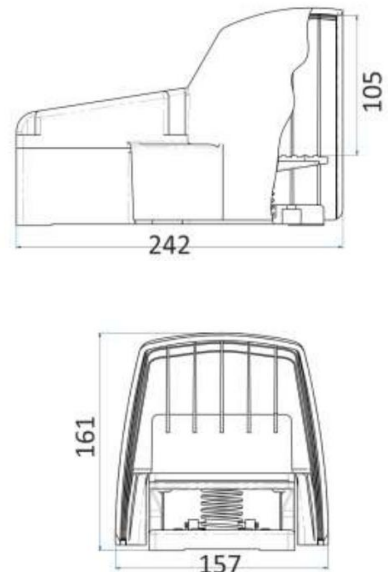
BSG2PX1/BSG2PX2



BSG2CY1/BSG2CY2



BSG2MX1/BSG2MX2



All Dimension are in mm

Accessories – Contact Block



Description	Cat Code
Spare Contact Block 1NO+1NC	SP20S1
Spare Contact Block 2NO+2NC	SP20S2

Key Application Area :

- Machine Tools
- TIG/MIG machines
- Material handling
- Manual Lifts
- Metal processing
- Water/oil environment
- Packaging machines
- Textile Machinery
- Hosiery machines
- Sewing machines
- Food & beverages
- conveyor systems
- Pad Printing
- Riveting Machines
- Shearing machines
- Engraving machines
- Marking Machines
- Folding machines
- Dispenser
- Soldering machines
- CT Scan
- Dental Chair
- MRI, X-Ray
- Ultrasonic
- Medical cameras
- Endoscopy
- Lab machines
- Generators
- Laser Machines



BCH ELECTRIC LIMITED



www.bchindia.com



1800-103-9262

customercare@bchindia.com

Visit us at : www.bchindia.com

Corporate Office : 1105, New Delhi House, 27, Barakhamba Road, New Delhi-110 001 Tel. : 91-11-43673100

CIN : U31103WB1965PLC026427, **Customercare No.** 1800-103-9262, **E-mail :** marketing@bchindia.com

Registered Office : Block 1E, 216, Acharya Jagadish Chandra Bose Road, Kolkata - 700 017

Works 1 : 20/4, Mathura Road, Faridabad-121 006 (Haryana) Tel. : 0129-4063000/4293000 Fax : 0129-2304016

Works 2 : 64-68, Sector-7, IIE, Pant Nagar, Rudrapur, Udham Singh Nagar - 263 153 (Uttarakhand) Tel. : 05944-250214/16 Fax : 05944-250215

Sales Offices :

Ahmedabad
401, Shilp Zeveri,
Beside Shyamal Iconic,
Above Westside,
Shyamal Cross Road,
Ahmedabad - 380015
E-mail : ahmedabad@bchindia.com

Bangalore
2nd Floor, 130/5,
K.H. Road (Double road),
Bangalore - 560 027
Tel.: 080-41144879 / 22236759
E-mail : bangalore@bchindia.com

Bhubaneswar
Mallick Commercial
Complex Plot No.: A/69, unit - 3
Bhubaneswar - 751 001
Tel.: 0674-2380988
E-mail : bhubaneswar@bchindia.com

Chandigarh (Panchkula)
SCO -270, 2nd Floor,
Sector 16, Panchkula,
Haryana-134 114
Tel.: 0172-5078957 / 5049905
E-mail : chandigarh@bchindia.com

Chennai
Flat No. 3A, 3rd Floor,
Sree Apartments,
No.508, TTK Road,
Alwarpet, Chennai 600 018
Tel.: 044-24337046, 24337047
E-mail : chennai@bchindia.com

Coimbatore
87, Dr. Nanjappa Road,
Coimbatore - 641 018
Tel. : 0422-2305311 / 2302599
E-mail : coimbatore@bchindia.com

Delhi 1
801, Akash Deep Building,
26A, Barakhamba Road,
New Delhi - 110 001
Tel. : 011-2313878 / 43518200
E-mail : delhi@bchindia.com

Delhi 2
710, Deepali Building, 92
Nehru Place, New Delhi - 110 019
Tel. : 011-45720334
E-mail : delhi2@bchindia.com

Dehradun
8, Co-operative Industrial Estate,
Patel Nagar, Dehradun-248001 E-
mail : dehradun@bchindia.com

Faridabad
20/4, Mathura Road,
Faridabad - 121 006 (Haryana)
Tel/fax : 0129-4293009
E-mail : faridabad@bchindia.com

Hyderabad
1-8-303/48/13/102, Arya One,
2nd Floor, P. G. Road,
Secunderabad - 500 003
Tel. : 040-66206263/27890306
Fax : 040-66207273
E-mail : hyderabad@bchindia.com

Indore
330-331, Indraprastha Tower,
3rd Floor, 6, M.G. Road,
Indore - 452 001
Tel. : 0731-2510011 / 2510012
E-mail : indore@bchindia.com

Jaipur
25, Hathroi, Gopalbari,
Jaipur - 302 001
Tel. : 0141-2363521
E-mail : jaipur@bchindia.com

Jamshedpur
3rd Floor, Aastha Trade Centre,
'O' Road, Bistupur,
Jamshedpur - 831 001
Tel. : 0657-2321097/2321481
E-mail : jamshedpur@bchindia.com

Kolkata
Block 1E, 216,
Acharya Jagadish Chandra Bose Road,
Kolkata - 700 017
Tel. : 033-22871728 / 46021884
E-mail : kolkata@bchindia.com

Lucknow
Madan Plaza, 3rd Floor,
14, Station Road,
Lucknow - 226 001
Tel. : 0522-4025597/4025997
E-mail : lucknow@bchindia.com

Ludhiana
S.C.O.- 18, 2nd Floor,
Feroze Gandhi Market,
Ludhiana - 140 001
Tel. : 0161-5021807/5022808
E-mail : ludhiana@bchindia.com

Mumbai
A-151, Mittal Tower,
Nariman Point,
Mumbai - 400 021
Tel. : 022-22822947/22850162
Fax : 022-22822858
E-mail : mumbai@bchindia.com

Pune
8, Sarosh Bhavan,
16-B/1, Dr. Ambedkar Road,
Pune - 411 001
Tel. : 020-41210002
E-mail : pune@bchindia.com

Raipur
6th Floor, Office No. 607,
Babylon Capital, Near Oswal
Petrol Pump, VIP Chowk,
G.E. Road, Raipur - 492 006
Tel. : 0771-4045053
E-mail : raipur@bchindia.com

Trichy
2B, Kannagi Street,
Ayyappa Nagar, K.K.Nagar
Trichy - 620 021, Tamilnadu
Tel. : 0431-4040497
E-mail : trichy@bchindia.com

Vadodara
301, Third Floor, "Florence Classic",
10, Ashapuri Co-Op. Hsg. Soc. Ltd., Opp. VUDA Housing,
Near Cow Circle, Akota, Vadodara - 390 020
Tel. : 0265-2345068/2345069
Tel/fax : 0265-2345068
E-mail : vadodara@bchindia.com

Other Branch Locations

Cochin : cochin@bchindia.com, **Guwahati :** guwahati@bchindia.com, **Vishakapatnam :** vizag@bchindia.com, **Surat :** surat@bchindia.com

Resident Engineer Locations

Anantapur	Kanpur	Nashik	Salem	Yamunanagar
Bhopal	Katni	Patna	Siliguri	
Calicut	Karimnagar	Puducherry	Surat	
Gurgaon	Kota	Rajkot	Tirunelveli	
Jalandhar	Midnapur	Ranchi	Udaipur	
Jalgaon	Muzaffarnagar	Rourkela	Vapi	
Jodhpur	Nagpur	Rudrapur	Vijayawada	