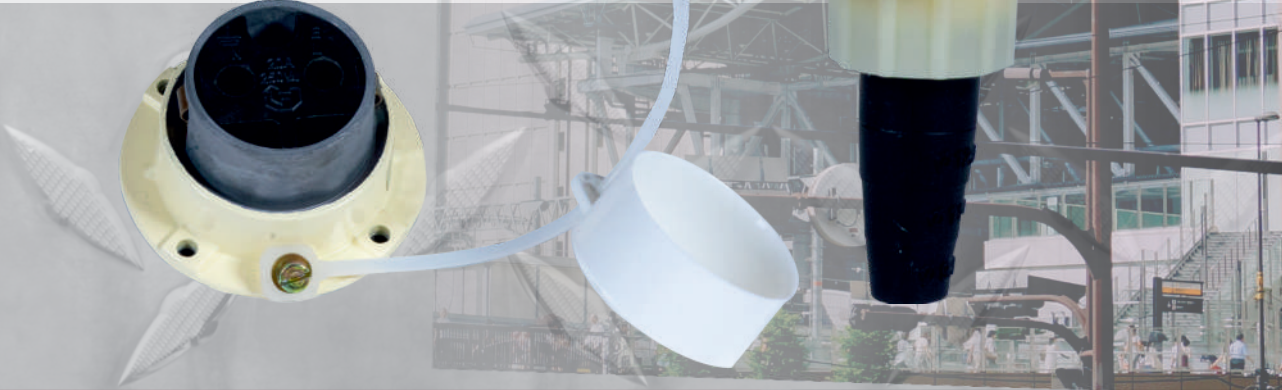
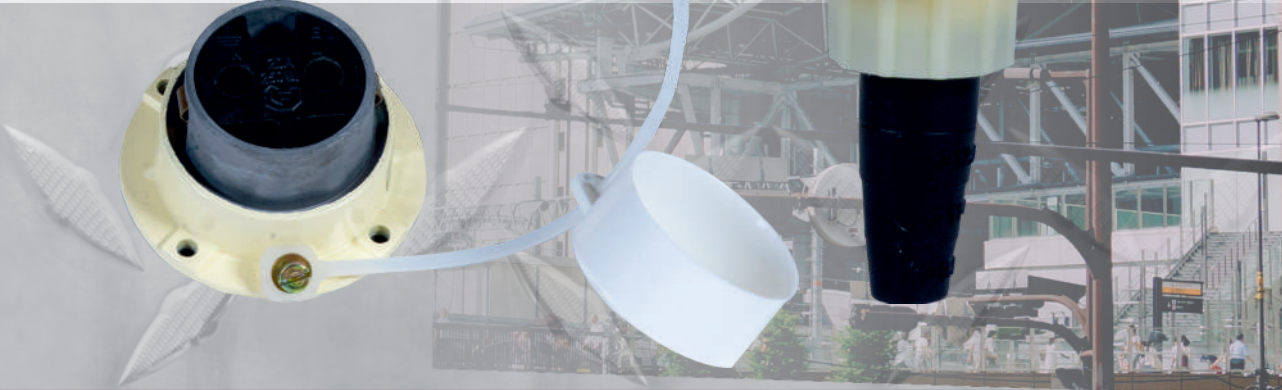


*Reliable since 1965...*



**Metal Clad Plug & Socket**

**(MP & MS Series)**



**BCH  
ELECTRIC  
LIMITED**

## Metal Clad Plug & Socket (MP & MS series)





BCH Metal Clad Plug & Sockets are combination of Reliability, Simplicity & Convenience.

Metal clad Plugs & sockets are available in two ratings :

- 20 Amp at 250 VAC, 2P+E
- 30 Amp at 415 VAC, 3P+E

BCH plug & socket are user-friendly & completely safe for the users. Metal clad sockets are designed to avoid accidental finger contact with live parts & are provided with scraping earth feature to ensure earth connection is made first & break last. Sockets are also provided with protective cap for the safety, while it is not in use.

### TECHNICAL FEATURES

Parameters	 MP20	 MS20	 MP30	 MS30
(Cat code)				
Conforming to Standard		IS:8804		IS:8804
Current rating		20 A		30 A
Type		Single phase		Three phase
Rated voltage		250 V		415 V
Insulation voltage		500 V		500 V
Thermal rating		25 A		32 A
Max. HP at rated voltage		6.0 HP		25 HP
Range		20 A , 3 Pin Plug & Socket		30 A , 4 Pin Plug & Socket
Body type		Metal Clad		Metal Clad
No. of Pins		2P + E		3P + E
Protection category		IP 44		IP 44
Dielectric withstand suitability		2 kV for 1 minute		2 kV for 1 minute
Mounting		Universal mounting		Universal mounting

### Construction features

- Casting : Non - corroding die cast aluminium alloy
- Insulated interior : High anti tracking properties
- Contacts : Floating contacts for self - aligning to facilitate smooth plugging
- Earthing : Provided with scraping earth feature to ensure earth connection is made first & break last
- Rubber/Plastic cable guard : Provide protection to incoming cables

### Socket - Complete Human Safety

- Special shroud : Designed to avoid accidental finger contact with pins
- Visibility of earth terminal : Facilitate easy checking of earth connections
- Protective cap : Provide safety while socket is not in use

### Metal Clad Plug & Socket Box - MPSEU series



Metal Clad P&S Boxes are pre-fitted with metal clad socket and suitable wiring, terminal for neutral connection, din rail channel for MCB, earthing terminals, wire entry grommets & is provided with metal clad plug.

- 7 tank processed, powder coated box for excellent aesthetics and long life.
- Available with cable guard for better protection to incoming cables.

### Available variants :

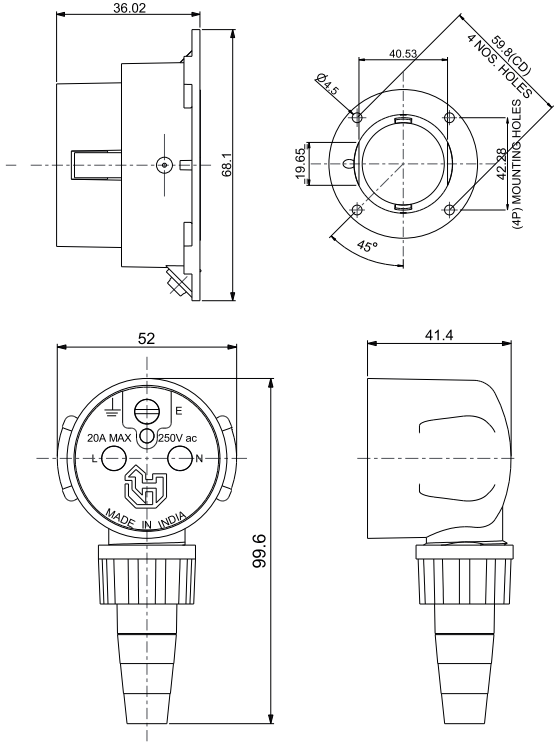
- 20A 2P+E with SP MCB provision
- 20A 2P+E with SPN / DP MCB provision
- 30A 3P+E with TPN / FP MCB provision

**Plug & Socket Boxes**

Cat code	MPSEU201	MPSEU202	MPSEU301
			
<b>Range</b>	20 A , Box with P & S		30 A , Box with P & S
<b>Mounting</b>	Universal mounted		Universal mounted
<b>Rated Voltage</b>	250 V		415 V
<b>No. of pins</b>	2P + E (3 pin)		3P + E (4 pin)
<b>Cut outs for Box</b>	1P MCB cut out	2P MCB cut out	TPN / FP MCB cut out
<b>Recommended MCB protection</b>	20A		32A
<b>Enclosure type</b>	Powder coated (Ivory colour)		Powder coated (Ivory colour)

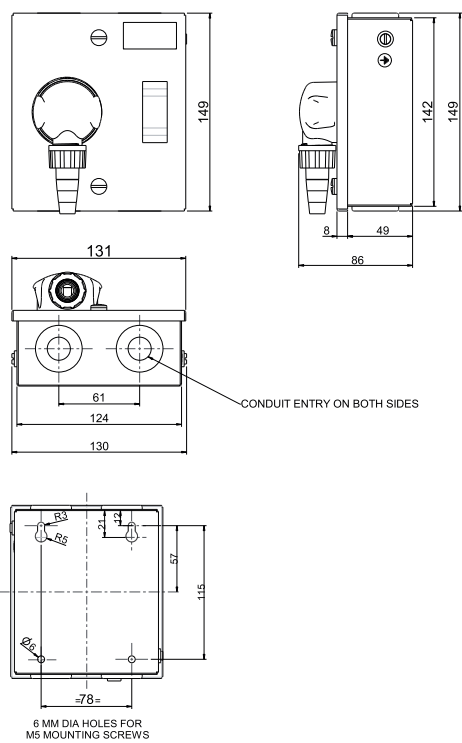
**Dimensions (mm)**

### MP-20/MS-20



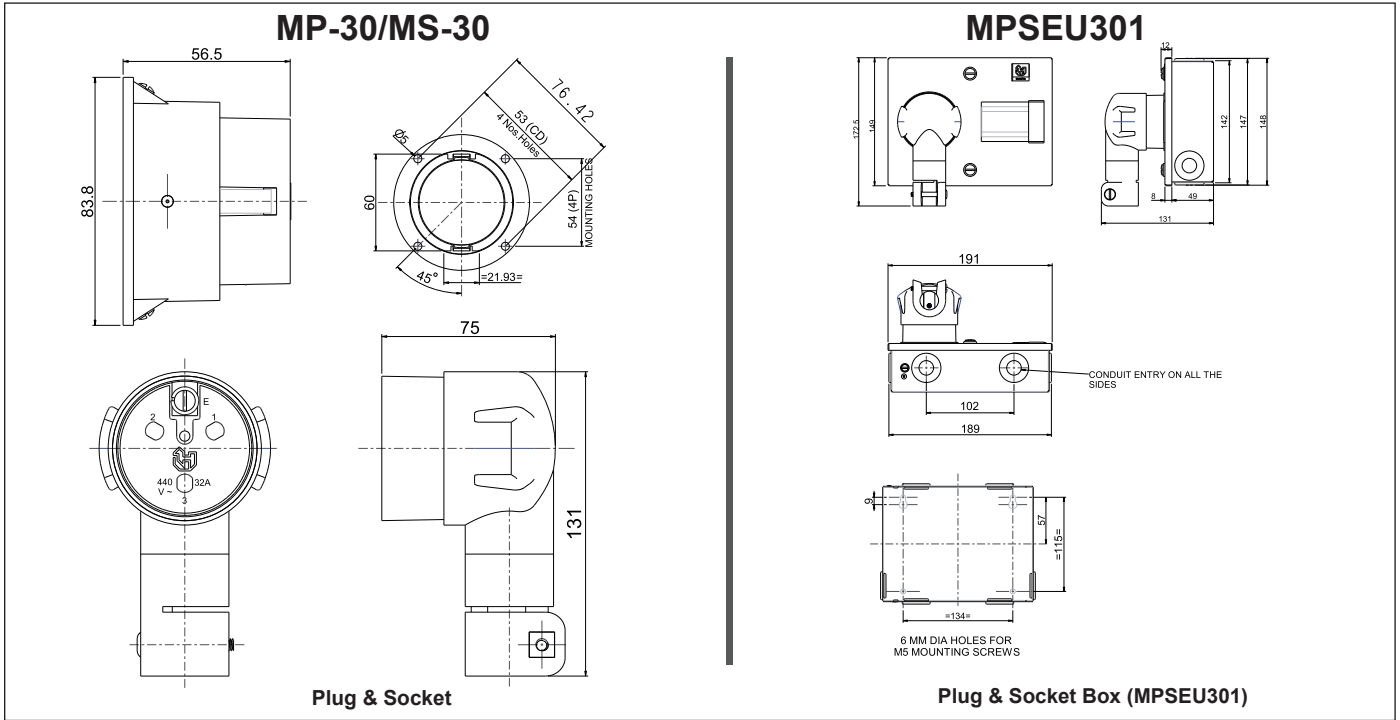
**Plug & Socket**

### MPSEU201/MPSEU202



**Plug & Socket Box  
(MPSEU201 / MPSEU202)**

# Dimensions (mm)



Plug & Socket

Plug & Socket Box (MPSEU301)



**BCH**

**BCH  
ELECTRIC  
LIMITED**



[www.bchindia.com](http://www.bchindia.com)



**1800-103-9262**

[customer care@bchindia.com](mailto:customer care@bchindia.com)

Visit us at : [www.bchindia.com](http://www.bchindia.com)

**Corporate Office :** 1105, New Delhi House, 27, Barakhamba Road, New Delhi-110 001 Tel. : 91-11- 43673100

**CIN :** U31103WB1965PLC026427, **Customercare No.** 1800-103-9262, **E-mail :** marketing@bchindia.com

**Registered Office :** Block 1E, 216, Acharya Jagadish Chandra Bose Road, Kolkata - 700 017

**Works 1 :** 20/4, Mathura Road, Faridabad-121 006 (Haryana) Tel. : 0129-4063000/4293000 Fax : 0129-2304016

**Works 2 :** 64-68, Sector-7, IIE, Pant Nagar, Rudrapur, Udham Singh Nagar - 263 153 (Uttarakhand) Tel. : 05944-250214/16 Fax : 05944-250215

### Sales Offices :

**Ahmedabad**  
401, Shilp Zeveri,  
Beside Shyamal Iconic,  
Above Westside,  
Shyamal Cross Road,  
Ahmedabad - 380015  
E-mail : ahmedabad@bchindia.com

**Bangalore**  
2nd Floor, 130/5,  
K.H. Road (Double road),  
Bangalore - 560 027  
Tel. : 080-41144879 / 22236759  
E-mail : bangalore@bchindia.com

**Bhubaneswar**  
Mallick Commercial  
Complex Plot No. : A/69, unit - 3  
Bhubaneswar - 751 001  
Tel. : 0674-2380988  
E-mail : bhubaneswar@bchindia.com

**Chandigarh (Panchkula)**  
SCO -129, 2nd Floor,  
MDC, Sector-5 Panchkula,  
Haryana-134 114  
Tel. : 0172-5078957 / 5049905  
E-mail : chandigarh@bchindia.com

**Chennai**  
Flat No. 3A, 3rd Floor,  
Sree Apartments,  
No.508, TTK Road,  
Alwarpet, Chennai 600 018  
Tel. : 044-24337046, 24337047  
E-mail : chennai@bchindia.com

**Coimbatore**  
87, Dr. Nanjappa Road,  
Coimbatore - 641 018  
Tel. : 0422-2305311 / 2302599  
E-mail : coimbatore@bchindia.com

**Delhi 1**  
801, Akash Deep Building,  
26A, Barakhamba Road,  
New Delhi - 110 001  
Tel. : 011-23313878 / 43518200  
E-mail : delhi@bchindia.com

**Delhi 2**  
710, Deepali Building, 92  
Nehru Place, New Delhi - 110 019  
Tel. : 011-45720334  
E-mail : delhi2@bchindia.com

**Dehradun**  
8, Co-operative Industrial Estate,  
Patel Nagar, Dehradun-248001  
E-mail : dehradun@bchindia.com

**Faridabad**  
20/4, Mathura Road,  
Faridabad - 121 006 (Haryana)  
Tel. : 0129-4293009  
E-mail : faridabad@bchindia.com

**Hyderabad**  
1-8-303/48/13/102, Arya One,  
2nd Floor, P. G. Road,  
Secunderabad - 500 003  
Tel. : 040-66206263/27890306  
Fax : 040-66207273  
E-mail : hyderabad@bchindia.com

**Indore**  
330-331, Indraprastha Tower,  
3rd Floor, 6, M.G. Road,  
Indore - 452 001  
Tel. : 0731-2510011 / 2510012  
E-mail : indore@bchindia.com

**Jaipur**  
25, Hathroi, Gopalbari,  
Jaipur - 302 001  
Tel. : 0141-2363521  
E-mail : jaipur@bchindia.com

**Jamshedpur**  
3rd Floor, Aastha Trade Centre,  
'Q' Road, Bistupur,  
Jamshedpur - 831 001  
Tel. : 0657-2321097/2321481  
E-mail : jamshedpur@bchindia.com

**Kolkata**  
Block 1E, 216,  
Acharya Jagadish Chandra Bose Road,  
Kolkata - 700 017  
Tel. : 033-22871728 / 46021884  
E-mail : kolkata@bchindia.com

**Lucknow**  
Madan Plaza, 3rd Floor,  
14, Station Road,  
Lucknow - 226 001  
Tel. : 0522-4025597/4025997  
E-mail : lucknow@bchindia.com

**Ludhiana**  
S.C.O.- 18, 2nd Floor,  
Feroze Gandhi Market,  
Ludhiana - 140 001  
Tel. : 0161-5021807/5022808  
E-mail : ludhiana@bchindia.com

**Mumbai**  
A-151, Mittal Tower,  
Nariman Point,  
Mumbai - 400 021  
Tel. : 022-22822947/22850162  
Fax : 022-22822858  
E-mail : mumbai@bchindia.com

**Pune**  
8, Sarosh Bhavan,  
16-B/1, Dr. Ambedkar Road,  
Pune - 411 001  
Tel. : 020-41210002  
E-mail : pune@bchindia.com

**Raipur**  
6th Floor, Office No. 607,  
Babylon Capital, Near Oswal  
Petrol Pump, VIP Chowk,  
G.E. Road, Raipur - 492 006  
Tel. : 0771- 4045053  
E-mail : raipur@bchindia.com

**Trichy**  
2B, Kannagi Street,  
Ayyappa Nagar, K.K.Nagar  
Trichy - 620 021, Tamilnadu  
Tel. : 0431-4040497  
E-mail : trichy@bchindia.com

**Vadodara**  
301, Third Floor, "Florence Classic",  
10, Ashapuri Co-Op. Hsg. Soc. Ltd., Opp. VUDA Housing,  
Near Cow Circle, Akota, Vadodara - 390 020  
Tel. : 0265-2345068/2345069  
Telefax : 0265-2345068  
E-mail : vadodara@bchindia.com

### Other Branch Locations

**Cochin :** cochin@bchindia.com, **Guwahati :** guwahati@bchindia.com, **Vishakapatnam :** vizag@bchindia.com, **Surat :** surat@bchindia.com

### Resident Engineer Locations

Anantapur	Kanpur	Nashik	Salem	Yamunanagar
Bhopal	Katni	Patna	Siliguri	
Calicut	Karimnagar	Puducherry	Surat	
Gurgaon	Kota	Rajkot	Tirunelveli	
Jalandhar	Midnapur	Ranchi	Udaipur	
Jalgaon	Muzaffarnagar	Rourkela	Vapi	
Jodhpur	Nagpur	Rudrapur	Vijayawada	

Since product improvement is a continuous process, the data furnished in this brochure may undergo revision without prior notice.