



800A MCCB Distribution Box

Steel Sheet Enclosure
Suitable for TAB-4 3P & 4P MCCBs
(MCCB ratings that can be fitted into:
500A ~800A, 65kA)

General Characteristics

MCCB Rating(Frame size)	800A, TAB-4
Number of Poles	Three & Four
Cable Entry	Top & Bottom
Current Rating	500, 630 & 800A
Depth	155 mm
Height	900 mm
Width	550 mm
Incoming Terminal Capacity	240 Sq.mm x 2 # Copper cable Max.(with spreaders); 50x5 (2#) Busbars max.(with spreaders)
Mounting	Wall Mounted
Product Range	MCCB Distribution Box
Standards	IEC 61439
Switchgear Fitted	MCCBs can be factory fitted on request
Equipment Type	Fixed Stationary
Covers/Door	Removable door with 4 Knobs for locking
Enclosure	Enclosure box and doors are in 1.6 mm cold rolled steel sheet duly powder coated finish to HPL Light grey.
Frequency	50Hz
Rated Operating Voltage	230/415 Vac.
Protection Class IP Rating	IP3X
Operating Ambient Temperature	- 5°C ~ + 40°C
Terminal Tightening Torque (Max.)	89 Nm
Short Circuit Capacity	65 kA @ 415 Vac

NOTES: Tolerance on the dimensions ± 5%



SS Enclosures for MCCBs:

Description	Item Code
SS Enclosures for TAB-1, 3P MCCBs	SETAB13P
SS Enclosures for TAB-2, 3P MCCBs	SETAB23P
SS Enclosures for TAB-1, 4P MCCBs	SETAB14P
Sheet Enclosures for MCCB TAB 2, 4P	SETAB24P
Sheet Enclosures for MCCB TAB 3, 3P	SETAB33P
Sheet Enclosures for MCCB TAB 3, 4P	SETAB34P
Sheet Enclosures for MCCB TAB 4, 3P	SETAB43P
Sheet Enclosures for MCCB TAB 4, 4P	SETAB44P
S.S.ENCLOSURE FOR TAB-2E,3P MPR MCCB	SETAB2E3P
S.S.ENCLOSURE FOR TAB-2E,4P MPR MCCB	SETAB2E4P

HPL MCCB SS-05/20



HPL Electric & Power Ltd

Corp. Office : Windsor Business Park, B-1D, Sector-10,
Noida, U.P. - 201301, INDIA.

Tel.: +91-120-4656300, Fax: +91-120-4656333

Registered Office : 1/20, Asaf Ali Road, New Delhi - 110 002, INDIA.

E-mail : hpl@hplindia.com; enquiry@hplindia.com

Customer Care No. :
18004190198

www.hplindia.com

• Ahmedabad 079-66168835	• Indore 0731-4280525	• Vijayawada 0866-6622291	• Davangere	• Kanyakumari	• Nasik	• Srinagar
• Bangalore 080-22863068	• Jaipur 0141-4021035	• Vizag 0512-2316017	• Goa	• Kolhapur	• Patiala	• Sambalpur
• Bhubaneswar 0674-6538229	• Kanpur 0512-2316017	• Agartala 033-22252716	• Gorakhpur	• Kota	• Patna	• Tirupati
• Chandigarh 0172-2639157	• Kolkata 033-22252716	• Agra 0522-4021687	• Gulbarga	• Ludhiana	• Pondicherry	• Trichy
• Chennai 044-28551537	• Lucknow 0522-4021687	• Allahabad 022-61830814	• Jabalpur	• Madurai	• Rajkot	• Trivandrum
• Cochin 0484-2354595	• Mumbai 022-61830814	• Anantpuram 0712-2222988	• Jabli	• Malda	• Rourkela	• Udaipur
• Coimbatore 0422-4393995	• Nagpur 0135-2710567	• Aurangabad 020-69200902/01	• Jammu	• Mangalore	• Salem	• Vapi
• Dehradun 0135-2710567	• Pune 0771-6541590	• Amravati 0651-2206144	• Jamshepur	• Meerut	• Siliguri	• Varanasi
• Guwahati 0361-2450889	• Raipur 0836-4251463	• Ranchi 040-40035959	• Jalandhar	• Moradabad	• Silchar	• Vellore
• Hubli 0836-4251463	• Ranchi 040-40035959	• Vadodara 0265-2341747	• Jharsuguda	• Mysore	• Surat	
• Hyderabad 040-40035959	• Vadodara 0265-2341747	• Bareilly	• Jodhpur	• Nagercoil	• Sholapur	

Suitable for
**Industrial, Domestic &
Commercial installations**

Features:

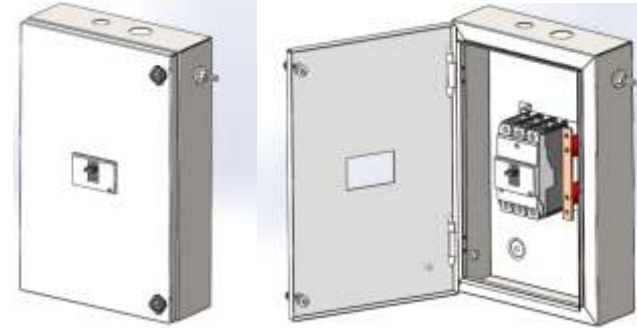
- Suitable for TAB range of MCCBs.
- Enclosure size is same for 3P & 4P.
- Optimum space for cable termination.
- In-built "Neutral Link" provided in 3P enclosures.
- IP 30 protection.
- Easy installation.
- Wall mounting type.
- Detachable gland plates.
- RoHS compliant.

**Reliable & Safe
Yet simple**

- A tested solution for every need



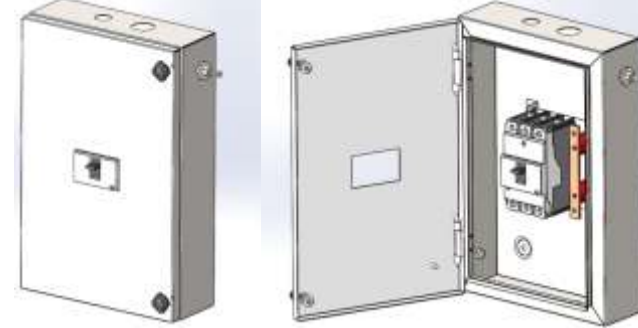
MCCB Steel Sheet Enclosures



160A MCCB Distribution Box

Steel Sheet Enclosure
Suitable for TAB-1 3P & 4P MCCBs
(MCCB ratings that can be fitted into:
16A ~160A, 36kA)

MCCB Steel Sheet Enclosures



250A MCCB Distribution Box

Steel Sheet Enclosure
Suitable for TAB-2 3P & 4P MCCBs
(MCCB ratings that can be fitted into:
63A ~ 250A, 50 kA)

MCCB Steel Sheet Enclosures



500A MCCB Distribution Box

Steel Sheet Enclosure
Suitable for TAB-3 3P & 4P MCCBs
(MCCB ratings that can be fitted into:
250A ~500A, 65kA)

General Characteristics	
MCCB Rating(Frame size)	160A, TAB-1
Number of Poles	Three & Four
Cable Entry	Top & Bottom
Current Rating	16, 20, 25, 32, 40, 50, 63, 80, 100, 125 & 160A
Depth	104 mm
Height	400 mm
Width	270 mm
Incoming Terminal Capacity	70 Sq.mm Copper cable Max.(with spreaders)
Mounting	Wall Mounted
Product Range	MCCB Distribution Box
Standards	IEC 61439
Switchgear Fitted	MCCBs can be factory fitted on request
Equipment Type	Fixed Stationary
Covers/Door	Side hinged door & 2 Knobs for locking
Enclosure	Enclosure box and doors are in 1.2 mm cold rolled steel sheet duly powder coated finish to HPL Light grey.
Frequency	50Hz
Rated Operating Voltage	230/415 Vac.
Protection Class IP Rating	IP3X
Operating Ambient Temperature	- 5°C ~ + 40°C
Terminal Tightening Torque (Max.)	10 Nm
Short Circuit Capacity	36 kA @ 415 Vac

NOTES: Tolerance on the dimensions ± 5%

General Characteristics	
MCCB Rating(Frame size)	250A, TAB-2
Number of Poles	Three & Four
Cable Entry	Top & Bottom
Current Rating	63, 80, 100, 125, 160, 200 & 250A
Depth	104 mm
Height	400 mm
Width	270 mm
Incoming Terminal Capacity	120 Sq.mm Copper cable Max.(with spreaders)
Mounting	Wall Mounted
Product Range	MCCB Distribution Box
Standards	IEC 61439
Switchgear Fitted	MCCBs can be factory fitted on request
Equipment Type	Fixed Stationary
Covers/Door	Side hinged door & 2 Knobs for locking
Enclosure	Enclosure box and doors are in 1.2 mm cold rolled steel sheet duly powder coated finish to HPL Light grey.
Frequency	50Hz
Rated Operating Voltage	230/415 Vac.
Protection Class IP Rating	IP3X
Operating Ambient Temperature	- 5°C ~ + 40°C
Terminal Tightening Torque (Max.)	26 Nm
Short Circuit Capacity	50 kA @ 415 Vac

NOTES: Tolerance on the dimensions ± 5%

General Characteristics	
MCCB Rating(Frame size)	500A, TAB-3
Number of Poles	Three & Four
Cable Entry	Top & Bottom
Current Rating	250, 300, 315, 400, 500A
Depth	145 mm
Height	900 mm
Width	500 mm
Incoming Terminal Capacity	150 Sq.mm x 2 # Copper cable Max.(with spreaders)
Mounting	Wall Mounted
Product Range	MCCB Distribution Box
Standards	IEC 61439
Switchgear Fitted	MCCBs can be factory fitted on request
Equipment Type	Fixed Stationary
Covers/Door	Removable door with 4 Knobs for locking
Enclosure	Enclosure box and doors are in 1.6 mm cold rolled steel sheet duly powder coated finish to HPL Light grey.
Frequency	50Hz
Rated Operating Voltage	230/415 Vac.
Protection Class IP Rating	IP3X
Operating Ambient Temperature	- 5°C ~ + 40°C
Terminal Tightening Torque (Max.)	51 Nm
Short Circuit Capacity	65 kA @ 415 Vac

NOTES: Tolerance on the dimensions ± 5%